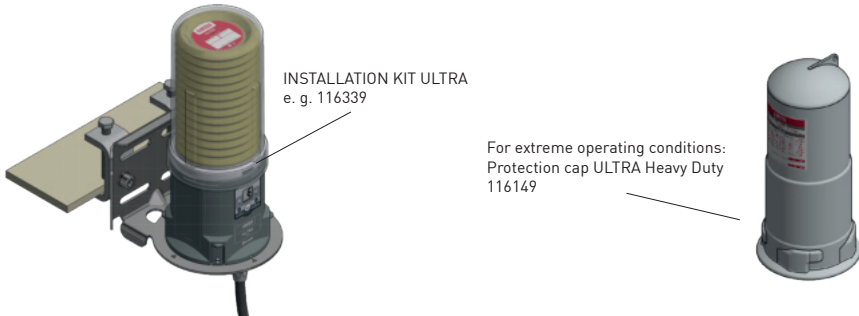


perma ULTRA - Quick Start Guide

1. Predefine installation / Select lubricant, discharge period + connecting parts



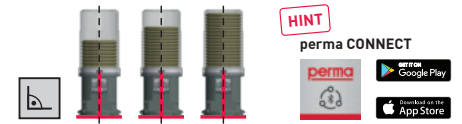
INSTALLATION KIT ULTRA
e. g. 116339

For extreme operating conditions:
Protection cap ULTRA Heavy Duty
116149

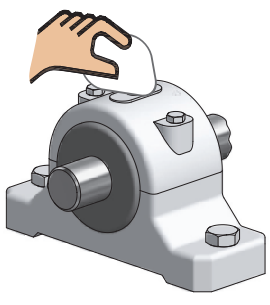
Select a suitable lubricant for perma ULTRA LC
→ e. g. perma MULTI LC 150-2 (SF01)

Select discharge period
→ e. g. with perma SELECT APP
(refer to our product catalog for details)

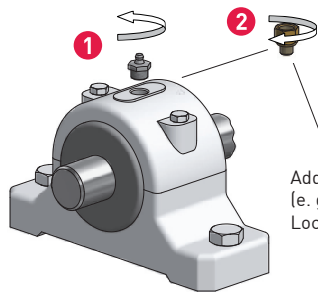
Possible mounting position



2. Prepare lube-point




Clean lube-point



Add sealant
(e. g. Loctite® 243™)

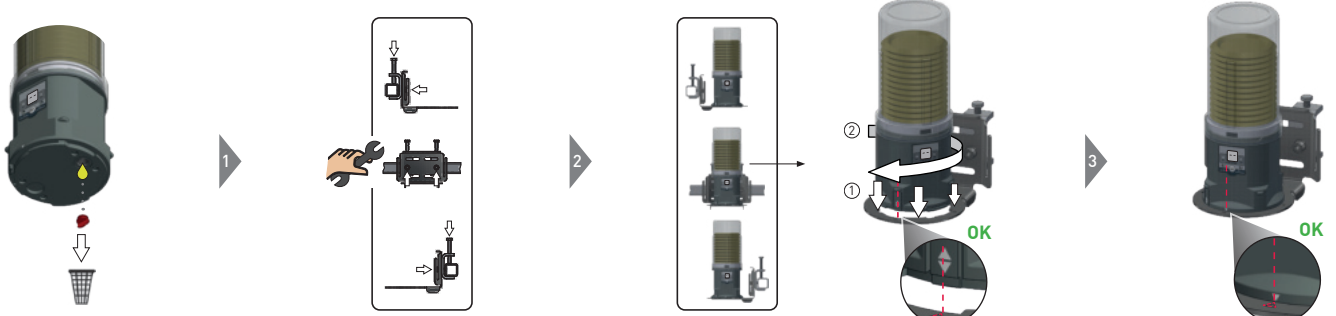
Remove grease fitting and add reducer and tubes

HINT Pressure check: Lube-point / all connecting parts



Prefill lube-point and any grease lines / connections
(use the same grease that is contained in the lubrication system)

3. Prepare mounting bracket



4. Activation / Installation of lubrication system



Insert the battery pack into the drive and click it into place; remove plug from drive and dispose of it

Remove transport protection and plug and dispose of it

Ensure that grease completely fills the LC outlet; there must be no air pocket in the LC

Place LC on center of drive and adjust it with front lug until it catches; system automatically recognizes LC size

Place cover over LC and turn until it catches

HINT Use perma CONNECT for applying settings

Set unit of time [m, w] by pressing the SET button:
1x = m (months)
2x = w (weeks)

Set the discharge period; note activation / exchange date on label